

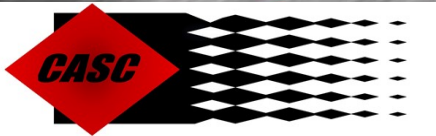


# CLM VIBETECH WASTE WATER TREATMENT AND SUPPLY SYSTEM

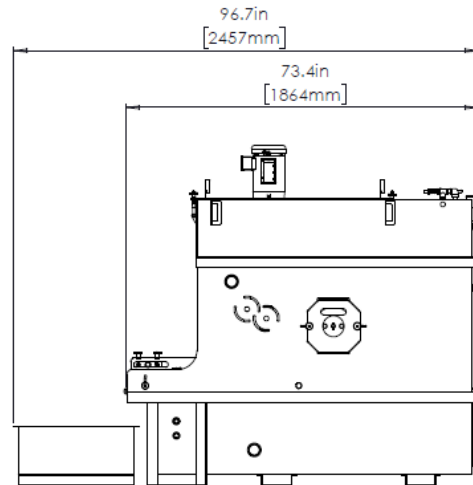
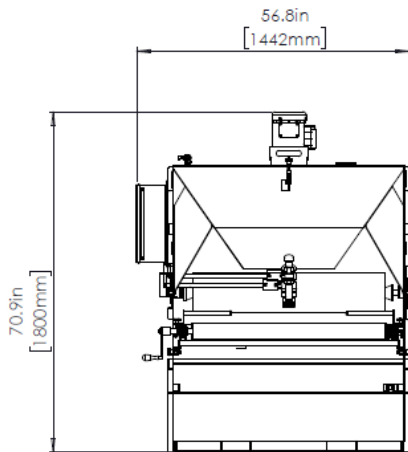
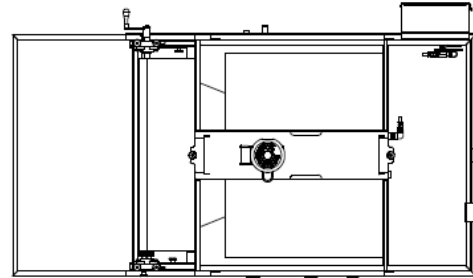
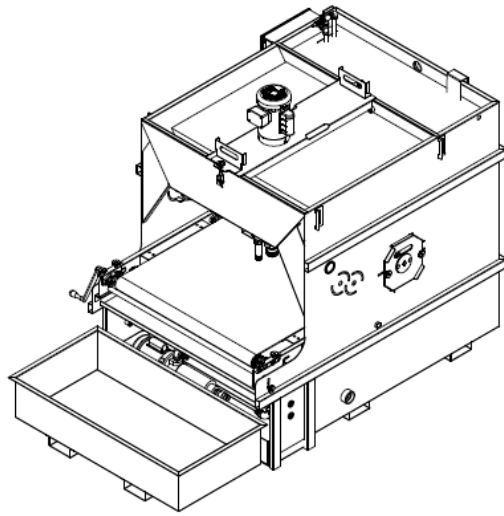
## MODEL: WW-70-MANUAL



**CLM Vibetech's** WASTE WATER TREATMENT AND SUPPLY SYSTEM WILL TREAT WASTE WATER FROM PRODUCTION FINISHING MACHINES AND RETURN THE TREATED WATER TO THE PROCESS. THIS CREATES A CLOSED LOOP SYSTEM AND ELIMINATES THE NEED FOR WASTE WATER DISPOSAL. OPERATION IS SIMPLE AND MAINTENANCE IS MADE EASY WITH KEY FEATURES DESIGNED TO GREATLY REDUCE DOWN TIME



**CINCINNATI ABRASIVE SUPPLY CO.**



SYSTEM MODEL NUMBER	VTWW-070-MANUAL
SYSTEM ELECTRICAL	120 VAC 60HZ 24.4FLA
WASTE WATER TANK CAPACITY-GALLONS (LITERS)	220 (830)
TREATMENT TANK CAPACITY- GALLONS (LITERS)	70 (265)
CLEAN WATER TANK CAPACITY- GALLONS (LITERS)	140 (530)
WASTE WATER PUMP ELECTRICAL	1/4 HP 115 VAC 60 HZ 5.6FLA
WASTE WATER PUMP CAPACITY	1000 GPH/16.7 GPM (3785LPH/63LPM)
MIXER MOTOR	1/2 HP 1800RPM 120VAC 60HZ TEFC
CLEAN WATER PUMP ELECTRICAL	120 VAC 60HZ 0.9 FLA
CLEAN WATER PUMP CAPACITY	3.0 GPM @ 40 PSI
MAXIMUM WATER TEMPERATURE F° (C°)	120° (49)
FILTER PAPER ROLL	2-3" CORE DIAMETER X 40" WIDE

**CONTACT**  
**CINCINNATI ABRASIVE SUPPLY CO.**  
 9431 Sutton Place  
 Hamilton, OH 45011  
 Phone: 513.941.8866  
 info@cincinnatiabrasive.com